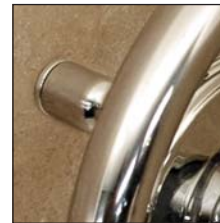




Introducing the Invisia Collection™

A series of luxurious bathroom accessories that also happen to be grab bars hidden in plain sight.



Accent Ring with Integrated Support Rail

Add a touch of elegance and just the right amount of support with the Accent Ring. A unique and incredibly solid handrail designed to contour circular shower fixtures and provide support when accessing the controls.

MAIN FEATURES

Integrated support rails with a 500lbs / 227kg weight capacity

Professional grade construction and superior quality fittings ensure years of uncompromising support.

Discreet wall stems with concealed screws

Meticulously designed wall interface stems render mounting areas virtually invisible.

Multi-contact wall support

While two-point contact with the wall structure is standard for most support rails and bathroom accessories, much of the Invisia™ Collection overachieves with up to 4 points of contact for maximum structural support.



* ADA Compliant

ADAAG 4.26.3 which specifies structural strength of grab bars, tub and shower seats, fasteners and mounting devices.

FINISHES / MATERIAL OPTIONS



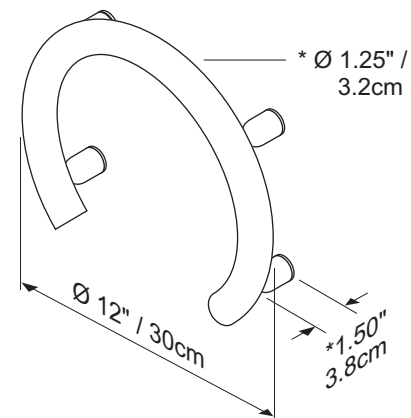
Polished Chrome
#304 stainless steel



Brushed
#304 stainless steel



TECHNICAL SPECIFICATION



Corner Shelf with Integrated Support Rail

Sleek curves and clever practicality never go out of style. The solid surface shelf provides a generous surface that can be removed for easy cleaning while the reliable support rail is always within reach to offer a helping hand.

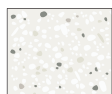
MAIN FEATURES

Integrated support rails with a 500lbs / 227kg weight capacity

Professional grade construction and superior quality fittings ensure years of uncompromising support.

Discreet wall stems with concealed screws

Meticulously designed wall interface stems render mounting areas virtually invisible.



Solid Surface Trays

The soap dish, corner shelf and toilet roll holder all feature beautiful shatterproof surfaces that resist the growth of mold and bacteria.



* ADA Compliant

ADAAG 4.26.3 which specifies structural strength of grab bars, tub and shower seats, fasteners and mounting devices.

FINISHES / MATERIAL OPTIONS



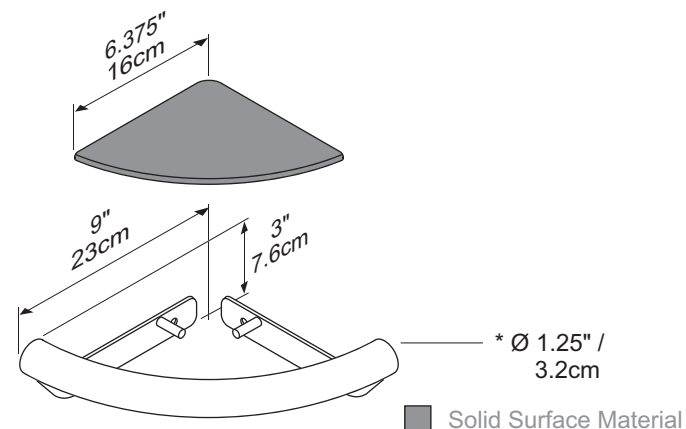
Polished Chrome
#304 stainless steel



Brushed
#304 stainless steel



TECHNICAL SPECIFICATION



Towel Bar with Integrated Support Rail

Add a little flare to any bathing area. The 16"/41cm or 24"/61cm towel bar provides ample space to display any towel set while the graceful arc of the integrated support rail creates a functional design element.

MAIN FEATURES

Integrated support rails with a 500lbs / 227kg weight capacity

Professional grade construction and superior quality fittings ensure years of uncompromising support.

Discreet wall stems with concealed screws

Meticulously designed wall interface stems render mounting areas virtually invisible.

Multi-contact wall support

While two-point contact with the wall structure is standard for most support rails and bathroom accessories, much of the Invisia™ Collection overachieves with up to 4 points of contact for maximum structural support.



* ADA Compliant

ADAAG 4.26.3 which specifies structural strength of grab bars, tub and shower seats, fasteners and mounting devices.

FINISHES / MATERIAL OPTIONS



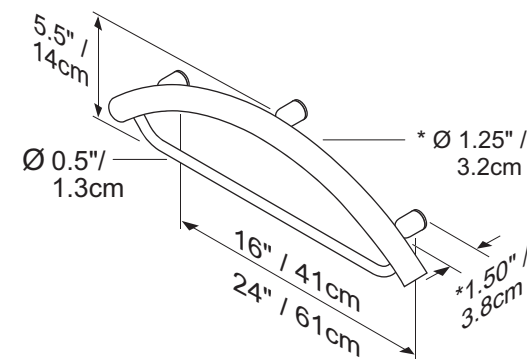
Polished Chrome
#304 stainless steel



Brushed
#304 stainless steel



TECHNICAL SPECIFICATION



Soap Dish with Integrated Support Rail

Make a bold statement with this luxurious centerpiece. Features an easy to clean removable solid surface soap dish, highlighted by an elegant circular support rail that provides just the right amount of assistance.

MAIN FEATURES

Integrated support rails with a 500lbs / 227kg weight capacity

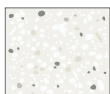
Professional grade construction and superior quality fittings ensure years of uncompromising support.

Discreet wall stems with concealed screws

Meticulously designed wall interface stems render mounting areas virtually invisible.

Multi-contact wall support

While two-point contact with the wall structure is standard for most support rails and bathroom accessories, much of the Invisia™ Collection overachieves with up to 4 points of contact for maximum structural support.



Solid Surface Trays

The soap dish, corner shelf and toilet roll holder all feature beautiful shatterproof surfaces that resist the growth of mold and bacteria.



* ADA Compliant

ADAAG 4.26.3 which specifies structural strength of grab bars, tub and shower seats, fasteners and mounting devices.

FINISHES / MATERIAL OPTIONS



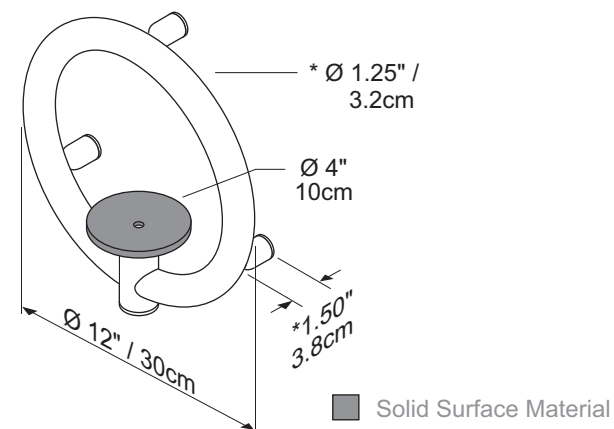
Polished Chrome
#304 stainless steel



Brushed
#304 stainless steel



TECHNICAL SPECIFICATION



Toilet Roll Holder with Integrated Support Rail

Soft lines and graceful curves blend effortlessly with practicality and function. With a solid handrail that provides discreet support, this fluid and versatile design captures the essence of contemporary and modern flare.

MAIN FEATURES

Integrated support rails with a 500lbs / 227kg weight capacity

Professional grade construction and superior quality fittings ensure years of uncompromising support.

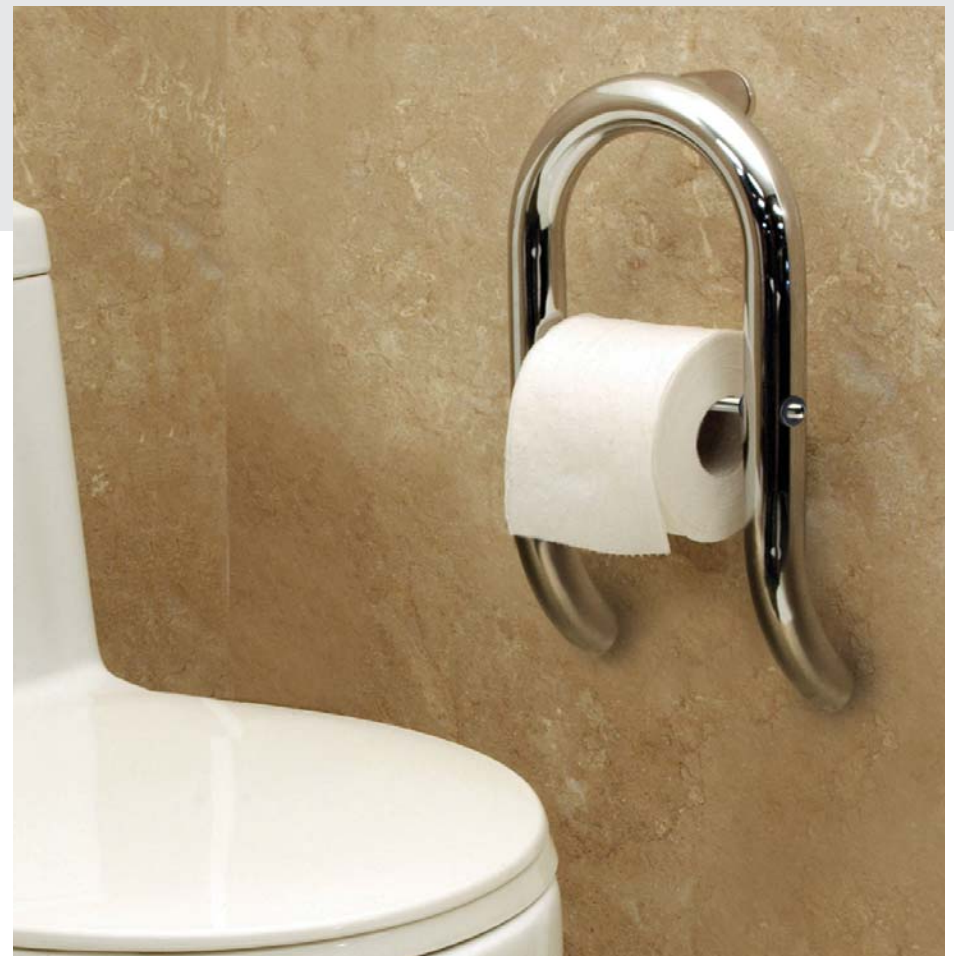
Discreet wall stems with concealed screws

Meticulously designed wall interface stems render mounting areas virtually invisible.



* ADA Compliant

ADAAG 4.26.3 which specifies structural strength of grab bars, tub and shower seats, fasteners and mounting devices.



FINISHES / MATERIAL OPTIONS

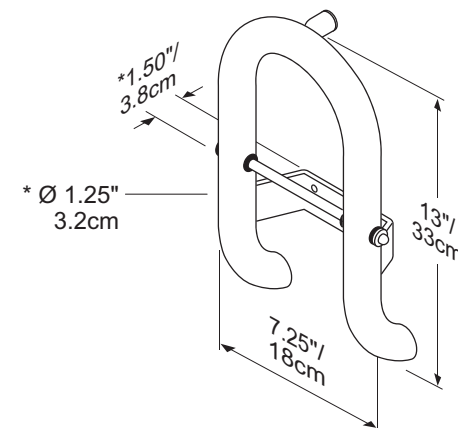


Polished Chrome
#304 stainless steel



Brushed
#304 stainless steel

TECHNICAL SPECIFICATION



SerenaSeat™ Fold Down Shower Seat

A soothing shower awaits with this spa inspired design. In the fold-away position, the SerenaSeat™ has an incredibly slim 3"/7.6cm profile.

MAIN FEATURES

Fold down shower seat

A brushed aluminum frame accents the natural beauty of the Brazilian walnut panels. The removable back rest conceals the screws of the 15.5"/39cm mounting brackets, providing maximum wall contact to deliver an astounding 500lbs/227kg weight capacity.



Brazilian Walnut (IPE) Panels

- Janka Hardness Scale (measures the hardness of wood) = 3684lbf (vs. Red Oak=1290lbf or Teak=1155lbf).
- Fire rating of A1 - the highest possible, the same as concrete.
- More dense than water (it sinks).



ADA Compliant

ADAAG 4.26.3 which specifies structural strength of grab bars, tub and shower seats, fasteners and mounting devices.



FINISHES / MATERIAL OPTIONS



Powder Coat Grey
on Aluminum



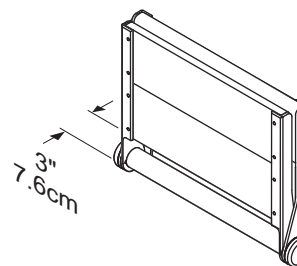
Triple Chrome Plate
on Aluminum



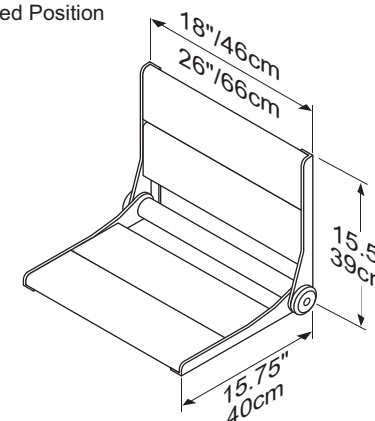
Brushed Nickel
on Aluminum

TECHNICAL SPECIFICATION

Folded Position



Seated Position



BathBench™

Beautifully simple seating, inspired by nature's elegance. Features hand selected Brazilian walnut panels, sure to add charm to any bathing environment.

MAIN FEATURES

Intuitive design with a 500lbs/227kg weight capacity.

Rests firmly across most bathtubs widths and is secured in place via adjustable traction feet. Provides convenient seating that doubles as a bath caddy, perfect for a glass of wine and a good book.

Stowaway convenience.

Can be easily removed to store out of the way or leave in place as a bath caddy that adds flare to any bathing environment.



Brazilian Walnut (IPE) Panels

- Janka Hardness Scale (measures the hardness of wood) = 3684lbf (vs. Red Oak=1290lbf or Teak=1155lbf).
- Fire rating of A1 - the highest possible, the same as concrete.
- More dense than water (it sinks).

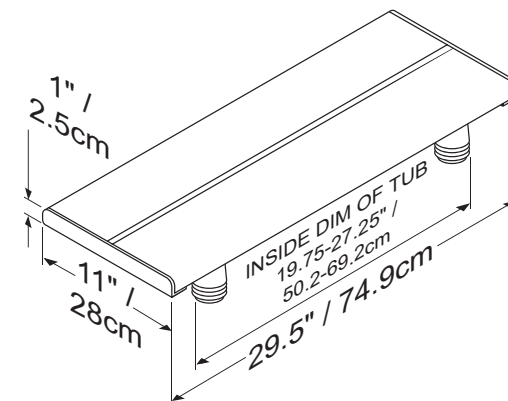


FINISHES / MATERIAL OPTIONS



Powder Coat Grey
on Aluminum

TECHNICAL SPECIFICATION



Corner Seat Elegant Spa Seating

This luxurious seat conveniently nestles into any corner to create a personalized oasis. Features hand selected Brazilian Walnut panels and a contemporary trim to blend seamlessly with adjacent bath accessories.

MAIN FEATURES

Discrete wall mount with a 500lbs / 227kg weight capacity.

Two 18.5"/47cm concealed wall mount brackets maximize wall contact and spread the weight-bearing surface to create an exceptionally solid seating surface.

Simply Elegant.

Convenient seat doubles as a shower caddy and features a streamlined design that is sure elevate the look of any shower.



Brazilian Walnut (IPE) Panels

- Janka Hardness Scale (measures the hardness of wood)
= 3684lbf (vs. Red Oak=1290lbf or Teak=1155lbf).
- Fire rating of A1 - the highest possible, the same as concrete.
- More dense than water (it sinks).



FINISHES / MATERIAL OPTIONS



Polished Chrome
Stainless Steel



Brushed
Stainless Steel

TECHNICAL SPECIFICATION

